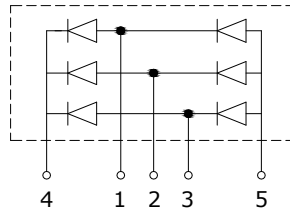


PRELIMINARY DATASHEET
**1600V Rectifier Diodes in 3-Phase Bridge Configuration
 In iQPak™1 Power Module Package**

- General purpose rectifiers
- Low forward voltage
- Pb-free lead finish; RoHS compliant


MAXIMUM RATINGS, at $T_j = 25^\circ\text{C}$, unless otherwise specified

Parameter	Symbol	Value	Units
Repetitive peak reverse voltage	V_{RRM}	1600	V
Average forward current 180° conduction, half sine wave, $T_c = 100^\circ\text{C}$	$I_{F(AV)}$	70	A
Peak surge non-repetitive forward current $t_p = 10\text{ms}$, No voltage reapplied, Half wave sine	I_{FSM}	1300	
Operating junction and storage temperature	T_j, T_{stg}	-40... +150	

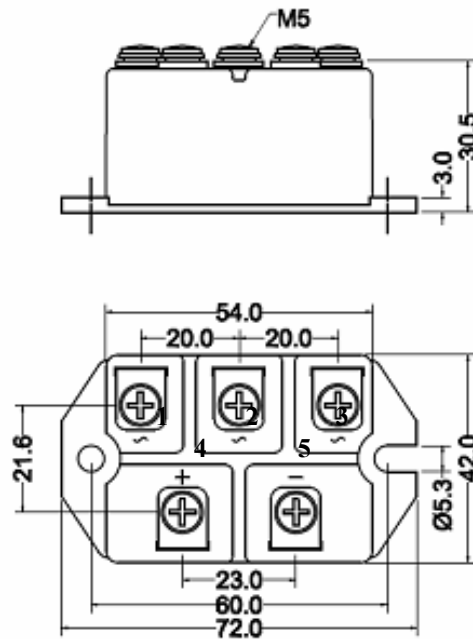
Thermal and Isolation Characteristics

Parameter	Symbol	Max. Value	Units
Characteristics			
Thermal resistance, junction to case	R_{thJC}	0.33	$^\circ\text{C}/\text{W}$
Isolation voltage, RMS (measured between terminals and mounting base, 50-60 Hz, for 1-3 seconds)	V_{iso}	3000	V

Electrical Characteristics, at $T_j = 25^\circ\text{C}$, unless otherwise specified

Parameter	Symbol	Value			Unit
		Min.	Typ.	Max.	
Static Characteristics					
Maximum reverse leakage current $V_R = 1600\text{V}$	I_{RM}	-	-	10	μA
Forward voltage drop $I_F = 70\text{A}$	V_F	-	1.1	-	V

Package Outline Drawing



Disclaimer

These specifications may not be considered as a guarantee of components characteristics. Components have to be tested depending on intended application as adjustments may be necessary. The use of **iQXPRZ Power Inc.** components in life support appliances and systems are subject to written approval of **iQXPRZ Power Inc.**